

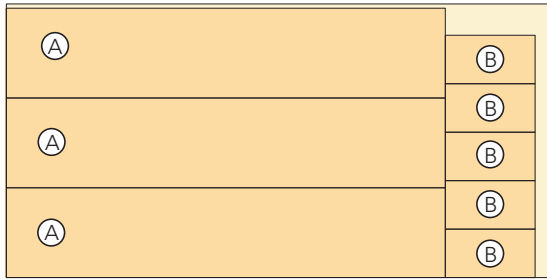
PLATFORM BED (Twin-Size Mattress) PROJECT DIAGRAM

TWIN-SIZE CUTTING LIST

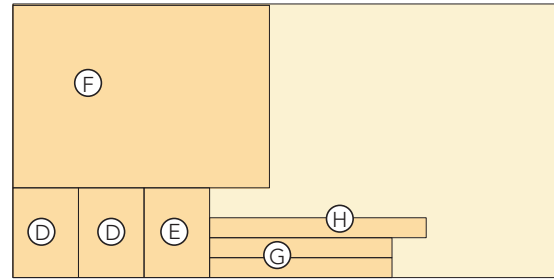
	QT	PART	T	W	L	
TWIN-SIZE BED	A	4	side top/bottom (oak plywood)	$\frac{3}{4}$	$15\frac{3}{4}$	77
	B	12	dividers (oak plywood)	$\frac{3}{4}$	$8\frac{1}{2}$	$15\frac{3}{4}$
	C	2	side backs (oak plywood)	$\frac{3}{4}$	10	$60\frac{1}{2}$
	D	2	end top/bottom (oak plywood)	$\frac{3}{4}$	$15\frac{3}{4}$	$11\frac{1}{2}$
	E	1	end back (oak plywood)	$\frac{3}{4}$	10	$11\frac{1}{2}$
	F	1	headboard (oak plywood)	$\frac{3}{4}$	32	45
	G	2	head stiles (oak plywood)	$\frac{3}{4}$	$3\frac{1}{2}$	32
	H	1	head rail (oak plywood)	$\frac{3}{4}$	$3\frac{1}{2}$	38
	I	2	side rails (oak)	$\frac{3}{4}$	$2\frac{1}{2}$	$77\frac{1}{2}$
	J	1	end rail (oak)	$\frac{3}{4}$	$2\frac{1}{2}$	39
	K	2	side supports (pine)	$1\frac{1}{2}$	$3\frac{1}{2}$	$60\frac{1}{2}$
	L	5	slats - not required for twin size			
	M	1	platform (oak plywood)	$\frac{3}{4}$	$9\frac{3}{4}$	60

PLATFORM BED (Twin-Size Mattress) PROJECT DIAGRAM

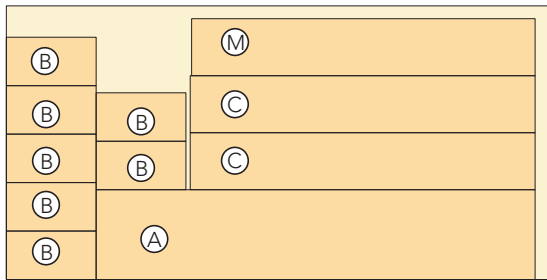
TWIN-SIZE CUTTING DIAGRAM



3/4-in x 4-ft x 8-ft oak plywood



3/4-in x 4-ft x 8-ft oak plywood



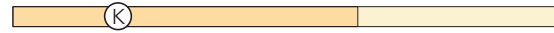
3/4-in x 4-ft x 8-ft oak plywood



(2) - 1 x 3 x 8 (3/4-in x 2 1/2-in x 96-in) oak



(1) - 1 x 3 x 8 (3/4-in x 2 1/2-in x 96-in) oak



(2) - 2 x 4 x 8 (1 1/2-in x 3 1/2-in x 96-in) pine

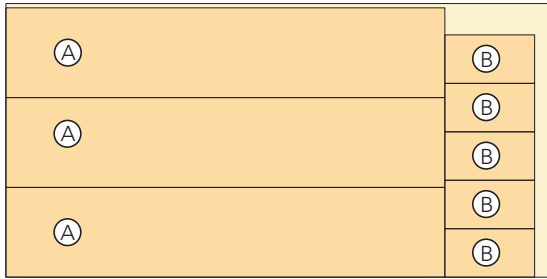
PLATFORM BED (Full-Size Mattress) PROJECT DIAGRAM

FULL-SIZE CUTTING LIST

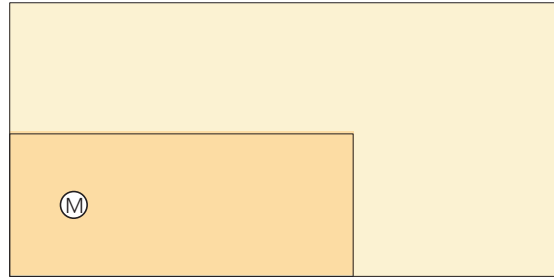
		QT	PART	T	W	L
FULL-SIZE BED	A	4	side top/bottom (oak plywood)	$\frac{3}{4}$	$15\frac{3}{4}$	77
	B	12	dividers (oak plywood)	$\frac{3}{4}$	$8\frac{1}{2}$	$15\frac{3}{4}$
	C	2	side backs (oak plywood)	$\frac{3}{4}$	10	$60\frac{1}{2}$
	D	2	end top/bottom (oak plywood)	$\frac{3}{4}$	$15\frac{3}{4}$	$26\frac{1}{2}$
	E	1	end back (oak plywood)	$\frac{3}{4}$	10	$26\frac{1}{2}$
	F	1	headboard (oak plywood)	$\frac{3}{4}$	32	60
	G	2	head stiles (oak plywood)	$\frac{3}{4}$	$3\frac{1}{2}$	32
	H	1	head rail (oak plywood)	$\frac{3}{4}$	$3\frac{1}{2}$	53
	I	2	side rails (oak)	$\frac{3}{4}$	$2\frac{1}{2}$	$77\frac{1}{2}$
	J	1	end rail (oak)	$\frac{3}{4}$	$2\frac{1}{2}$	54
	K	2	side supports (pine)	$1\frac{1}{2}$	$3\frac{1}{2}$	$60\frac{1}{2}$
	L	5	slats (pine)	$\frac{3}{4}$	$3\frac{1}{2}$	$24\frac{3}{4}$
	M	1	platform (pine plywood)	$\frac{3}{4}$	$24\frac{3}{4}$	$60\frac{1}{4}$

PLATFORM BED (Full-Size Mattress) CUTTING DIAGRAM

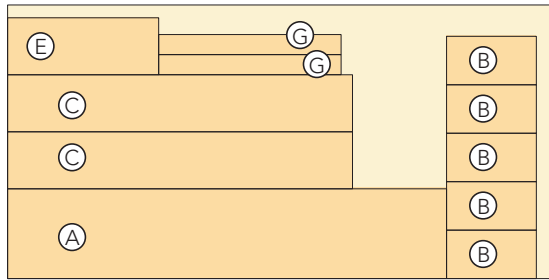
FULL-SIZE CUTTING DIAGRAM



$\frac{3}{4}$ -in x 4-ft x 8-ft oak plywood



$\frac{3}{4}$ -in x 4-ft x 8-ft pine plywood



$\frac{3}{4}$ -in x 4-ft x 8-ft oak plywood



(2) - 1 x 3 x 8 ($\frac{3}{4}$ -in x 2 $\frac{1}{2}$ -in x 96-in) oak



(1) - 1 x 3 x 8 ($\frac{3}{4}$ -in x 2 $\frac{1}{2}$ -in x 96-in) oak



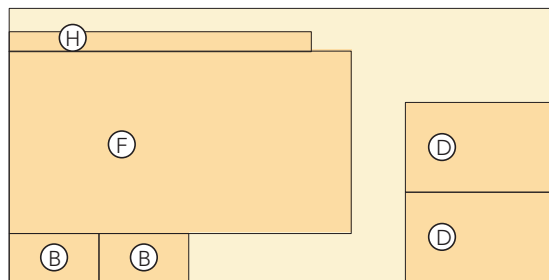
(2) - 2 x 4 x 8 (1 $\frac{1}{2}$ -in x 3 $\frac{1}{2}$ -in x 96-in) pine



(1) - 1 x 4 x 8 ($\frac{3}{4}$ -in x 3 $\frac{1}{2}$ -in x 96-in) pine



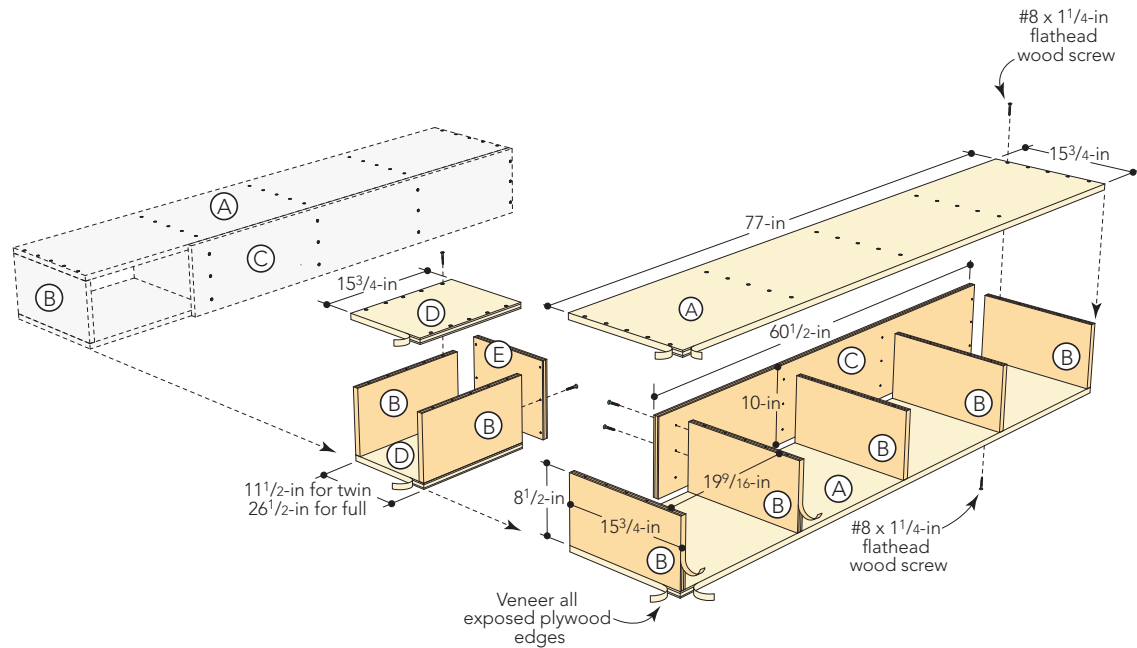
(1) - 1 x 4 x 8 ($\frac{3}{4}$ -in x 3 $\frac{1}{2}$ -in x 96-in) pine



$\frac{3}{4}$ -in x 4-ft x 8-ft oak plywood

PLATFORM BED (Twin- & Full-Size Mattress) PROJECT DIAGRAM PLAN SET #1

DRAWING 1
Side and End Cases

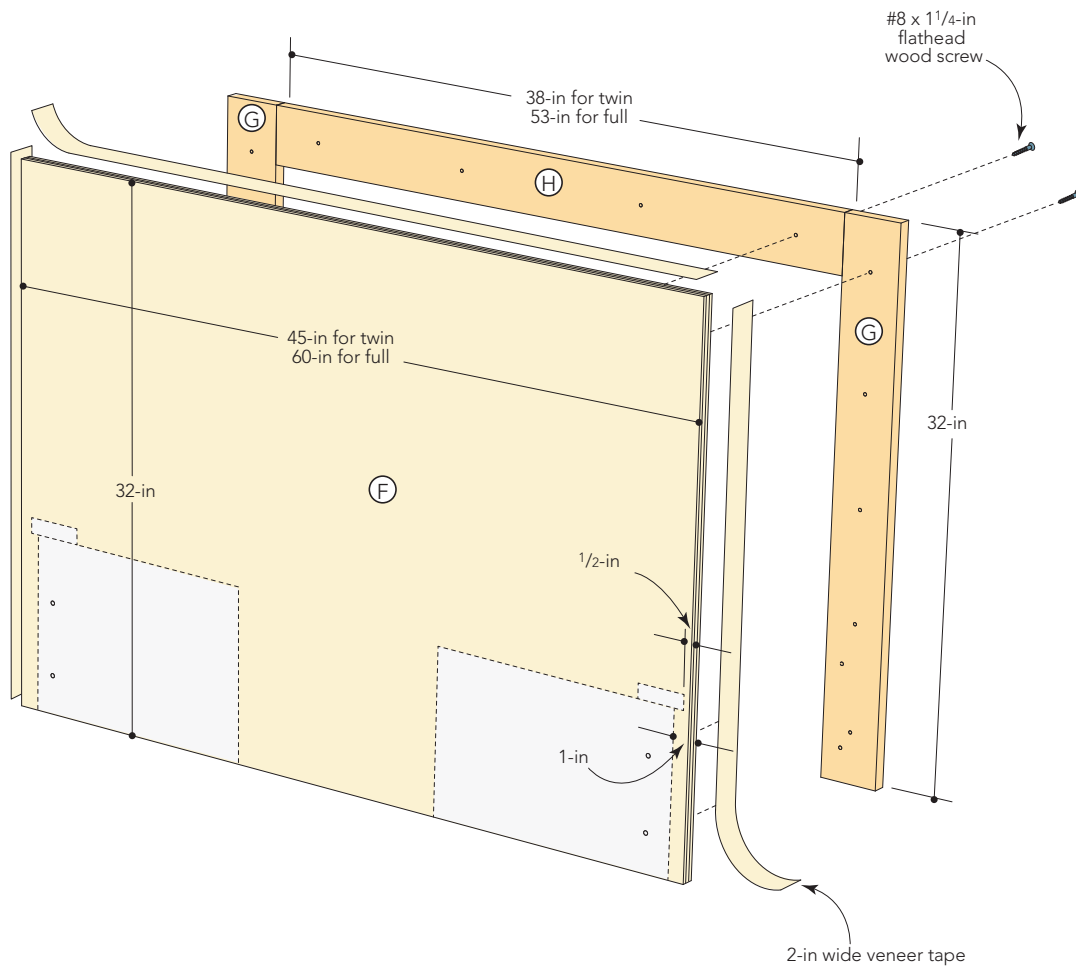


PLATFORM BED (Twin- & Full-Size Mattress)

PROJECT DIAGRAM

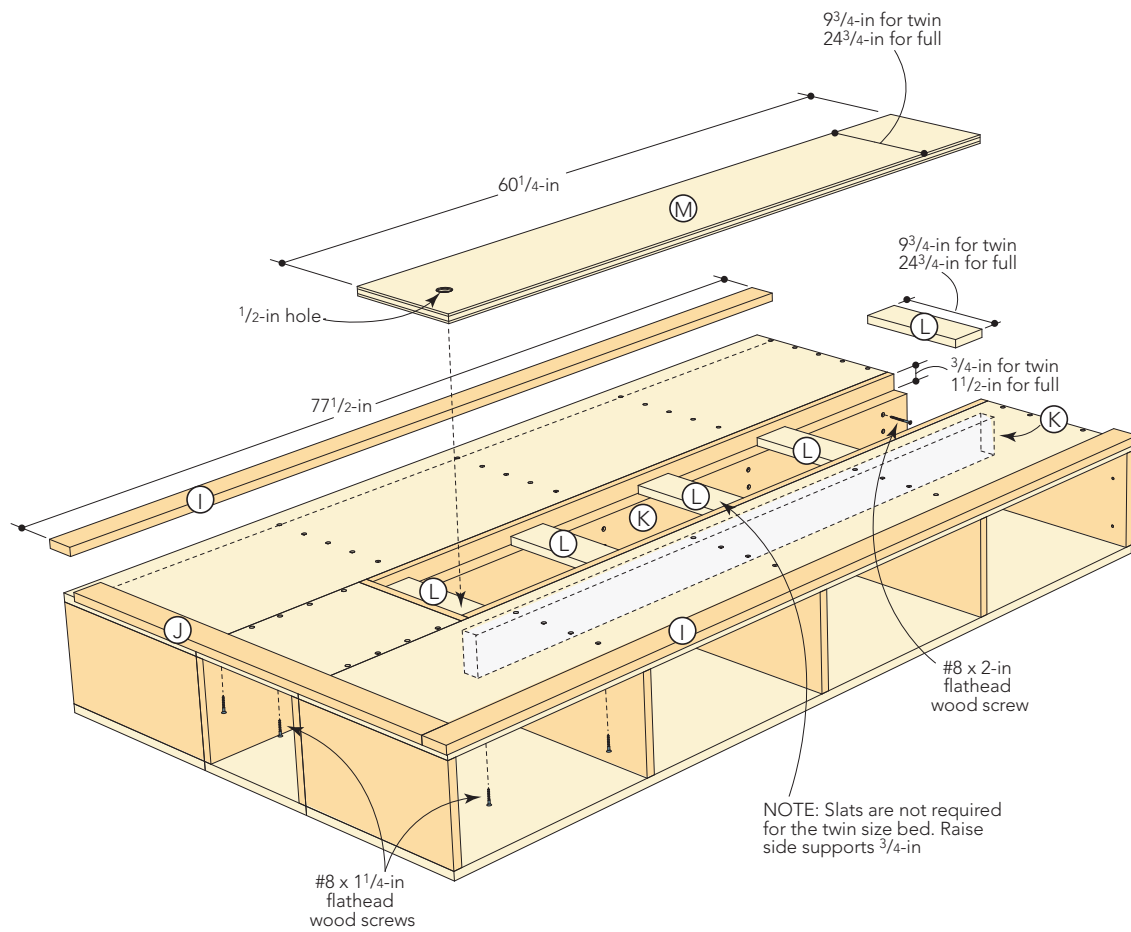
PLAN SET #1

DRAWING 2
Headboard



PLATFORM BED (Twin- & Full-Size Mattress) PROJECT DIAGRAM PLAN SET #1

DRAWING 3
Mattress Support



PLATFORM BED (Twin- & Full-Size Mattress) PROJECT DIAGRAM PLAN SET #1

DRAWING 4
Headboard Connection Detail

